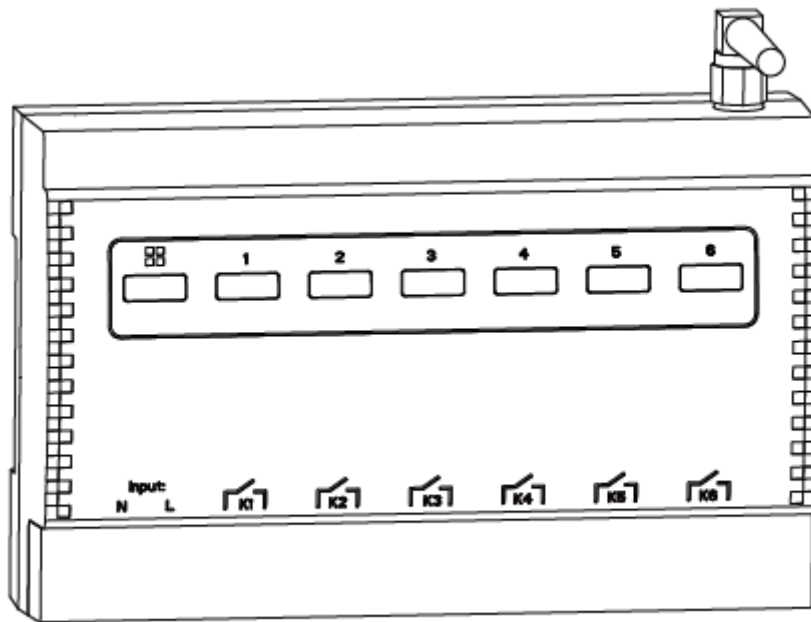




KINETIC SWITCH



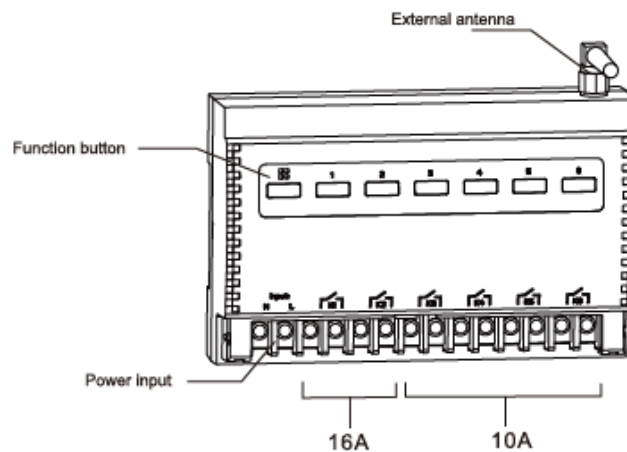
MANUAL

DIN Rail Six Ways Dry Contact Controller



Product description

The 6 ways controller can pair with wireless Kinetic-Switch to achieve wireless control, dual control and multi-control. This controller has six ways dry contact control function for easy centralized wiring and installation.

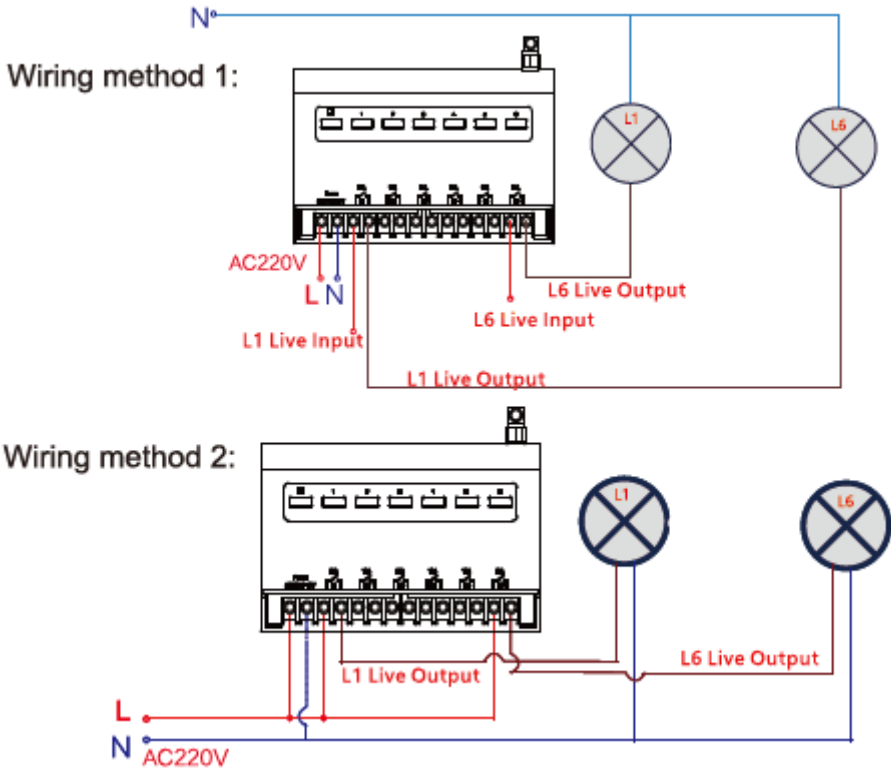


Product Parameters

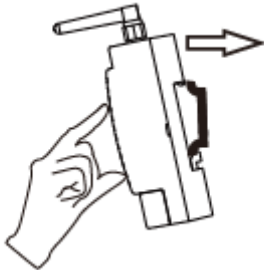
Input voltage:	AC100-240V 50/60Hz
Number of ways:	6 ways
Operating temperature:	-20°C~55°C
Receive sensitivity:	-110dBm
Communication protocol:	RF433M & WiFi 2.4G (Only WiFi version)
Execution standards:	EN61058-1;2002+A2;2008; GB 14536.1-2008
Rated current:	16A*2 + 10A*4
Distance:	80m (outdoor) 25m (indoor)
Storage capacity:	paired with 5 kinetic switch per circuit

Installation Method

The six ways receiving controller is dry contact output, which only provides circuit connection function for ways. The power required by the loads is not output by the controller's power supply.

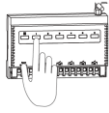


This product can be directly installed on the guide rail in the electric box, and can also be placed in the ceiling space.



Basic pairing with Kinetic-Switch

1. Power supply connect with input of the controller, and press the "pairing key" of any circuit for around 3 seconds, release when the indicator light flashes.



2. Press the selected kinetic energy switch once, after the indicator light is off, means the pairing is successfully.



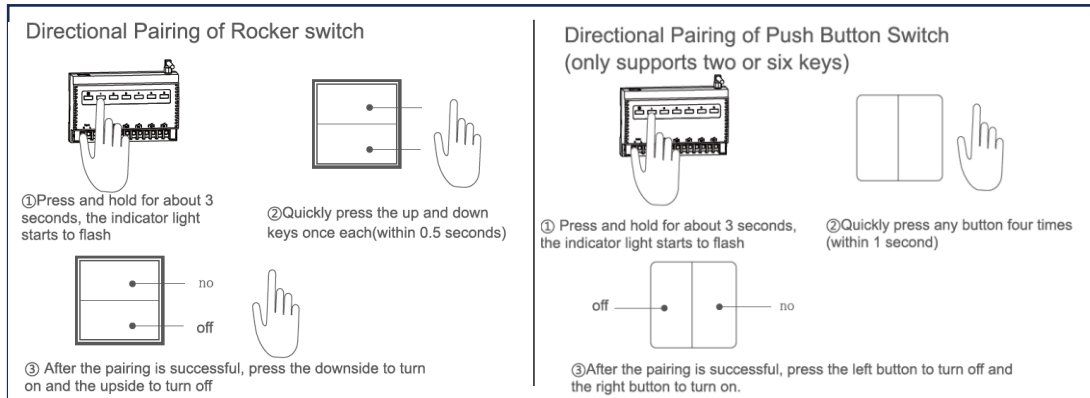
3. If a circuit needs to be paired with multiple kinetic energy switches, repeat the above process, each circuit can be paired with up to 5 kinetic switch keys.
4. After successful pairing, you can press the kinetic switch control the corresponding circuit. In the case of no load, the status of controller on or off can be judged by the indicator light on/off.

Directional pairing (not commonly used)

In order to meet the user's usage habits of traditional switches, and to ensure synchronization of the controller's state in a one-to-multi control mode, we define the directional pairing method. This pairing method only supports rocker switches, two-button or six-button push button switches.

1. Connect the controller's input with power and press and hold the "pairing key" on any circuit of controller for about 3 seconds, release when the indicator flashes.
2. Press the selected switch at this time, The rocker switch is pressed upside and downside once each (within 0.5 seconds), and for the push button type switch, the left and right buttons are one group. Press any button four times in a row (within 1 second).

3. After successful pairing, for the rocker switch, press the upside to turn on, and downside to turn off. For the push button switch, the left and right buttons are one group, Press the left button to turn off, and the right button to turn on.



Clear Pairing

If you need to clear pairing between the kinetic switch and the corresponding channel of the product, you need to press and hold the pairing button of the corresponding channel for about 10 seconds. You can see the indicator light from flashing to being off, release hand when it goes out, the kinetic switch information paired with this channel is cleared. If you need to use the controller again, please follow the instructions to re-pair.

APP download (This function and the WiFi part below are only available for WiFi version)

The controller can be remotely controlled by using the APP. You can search for "kinetic switch" in the application market.

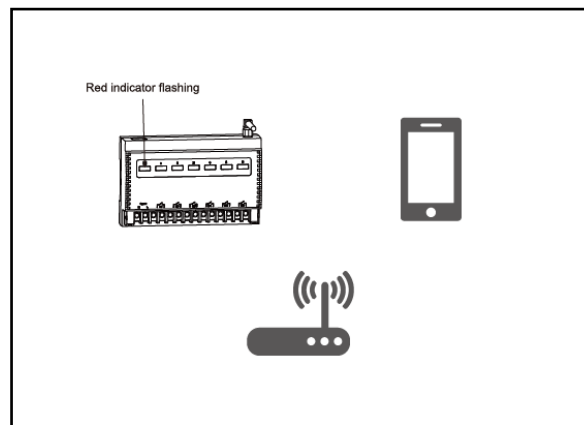
Or you can download the app using the QR code below:



WiFi Connection Method

1. Use your mobile phone to download the app, and then follow the prompts to register your account in the app.
2. Connect the controller to power and confirm that the red indicator on the function button is flashing rapidly. (If the function red indicator is not flashing, please press and hold the function button on the controller for about 10 seconds. The indicator light will flash from slowly to be lit still, and release the button when the indicator is lit still. Wait for a few seconds, and the red indicator will be fast flashing.)
3. Click "Add Device" in the APP and select the model "6 Way Dry Contact Receiving Controller"
4. Enter the WiFi password as prompted in the APP and enter the pairing.
5. After network pairing is successful, the APP can be used to remotely control the controller and smart scene.
6. If you change the WiFi router or the WiFi password, please start from the second step to re-set the controller.

*During matching, the three devices should be as close as possible. Please make sure that the indicator flashes fast.



ECHO

1. in the Kinetic Switch APP, rename the controller devices, such as bedroom lights
2. Add the skill SmartLife in Alexa APP, and log in by using the account and password of the Kinetic Switch APP
3. Discover the device in the smart application selection in the Alexa app
4. Now you can voice control the controller

Troubleshooting

1. WiFi is not connected

Troubleshooting method: Please confirm the indicator light flashes (2 times 1 second) before connection settings; If it is not flashing, please refer to the Wi Fi connection instructions to set the indicator to flash.

Do not use the Chinese WiFi name; let routers, controllers and mobile phones be as close as possible (within 5 meters).

2. The controller is occasionally offline in the app

Troubleshooting method: it may be that the number of connected devices reaches the upper limit, and for the general route the maximum number of connected devices is 15. The router can be upgraded or turn off non-needed equipment.

3. After installation, the relay can be controlled and the corresponding indicator light is indicated, but the load is not powered successfully, still in a state of no electricity.

Troubleshooting method: The product is a dry contact controller. After each channel is connected, two of the channels terminal will be shorted. Please wire according to the wiring method in the user manual.



KINETIC SWITCH

BURA Sales UG (haftungsbeschränkt)

Am Sportplatz 6 | 97262 Hausen b. Würzburg | Germany